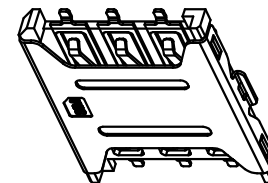
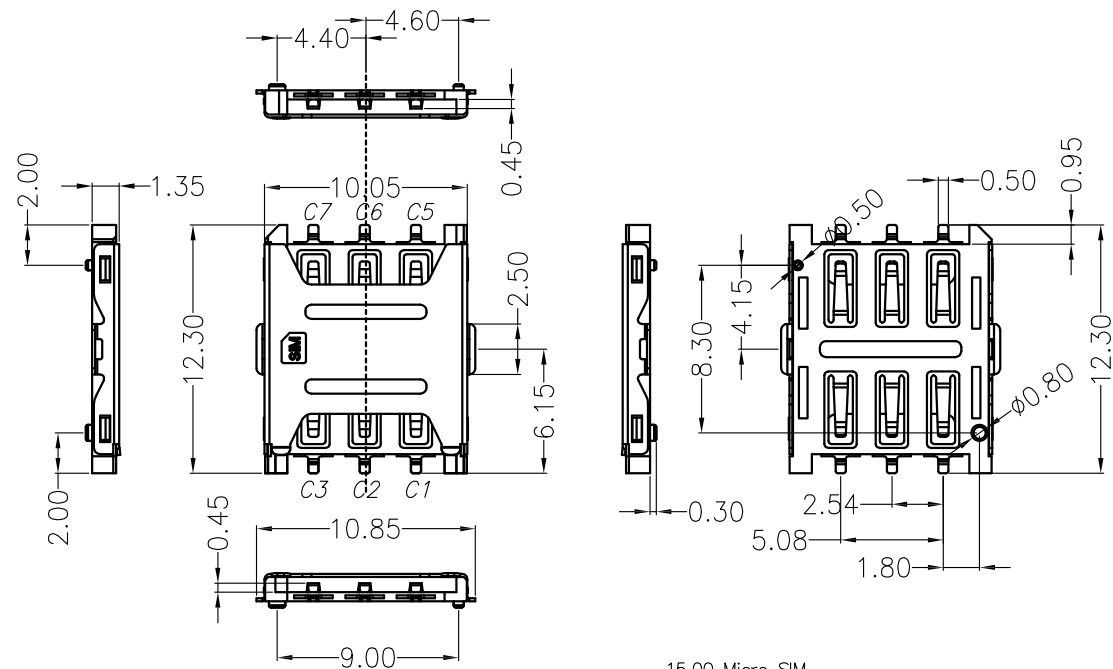


REV.	ECN.NO.	APPD.
A	/	/



*Electrical Characteristics:
 Contact Current Rating:0.5 Amperes.
 Dielectric Withstanding Voltage:AC500V r.m.s.
 Insulation Resistance:1000 MΩ Minimum.
 Contact Resistance:100 mΩ Maximum.

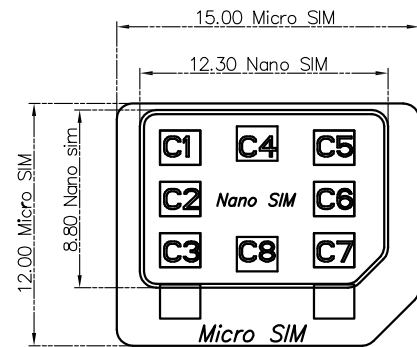
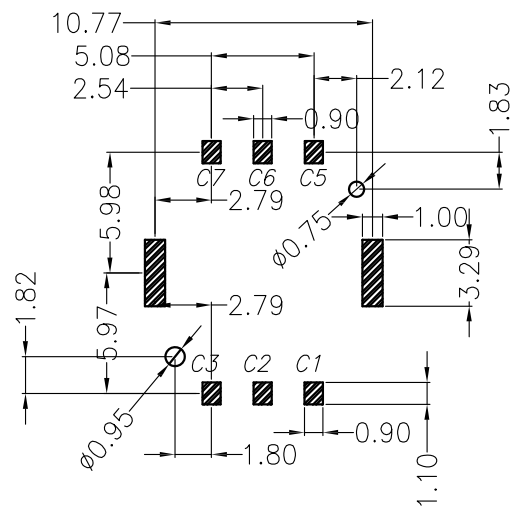
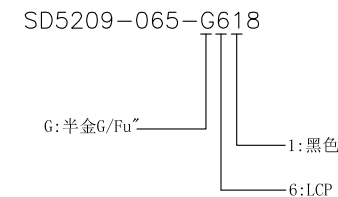
*Environmental:
 Operating Temperature:-25°C~+90°C.

*Environmental:
 Mating Cycles:5000~10,000 Insertions.

*Mechanical Characteristics:
 Card Push Insertion/Out Force:1.4kgf. MAX
 Contact Separation Force:0.20kgf Minimum.

*Material:
 Insulator:HI-Temp Plastic UL 94V-O Rated.
 Contact:Copper Alloy(t=0.15mm).
 Shell:Stainless Steel(t=0.20mm).
 Spring:SWP.

SIM pin assignment	
PIN#	Name
C1	VCC 供电电压
C2	RST 重置
C3	CLK 时钟
C5	GND 接地
C6	VPP 程序电压
C7	I/O 输入输出



TOLERANCE UNLESS OTHERWISE SPECIFIED		FLW 深圳市华联威电子科技有限公司			
.XXX ±0.10	.XX ±0.20	.X ±3'	HUA LIAN WEI TECHNOLOGY ELECTRONICS CO;LTD.		
.X ±0.30	.XX' ±2'	PART NAME: 翻盖Nano SIM卡座H1.35掀盖式手机卡座翻盖式6P sim卡座			
APPROVED		PART No:	SD5209-065-G618		C
CHECKED		PROJECTION:	UNIT:	SCALE:	SHEET:
DRAWN	chenyiting	mm	1:1	10F1	REV. A
DATE	2023.04.17				